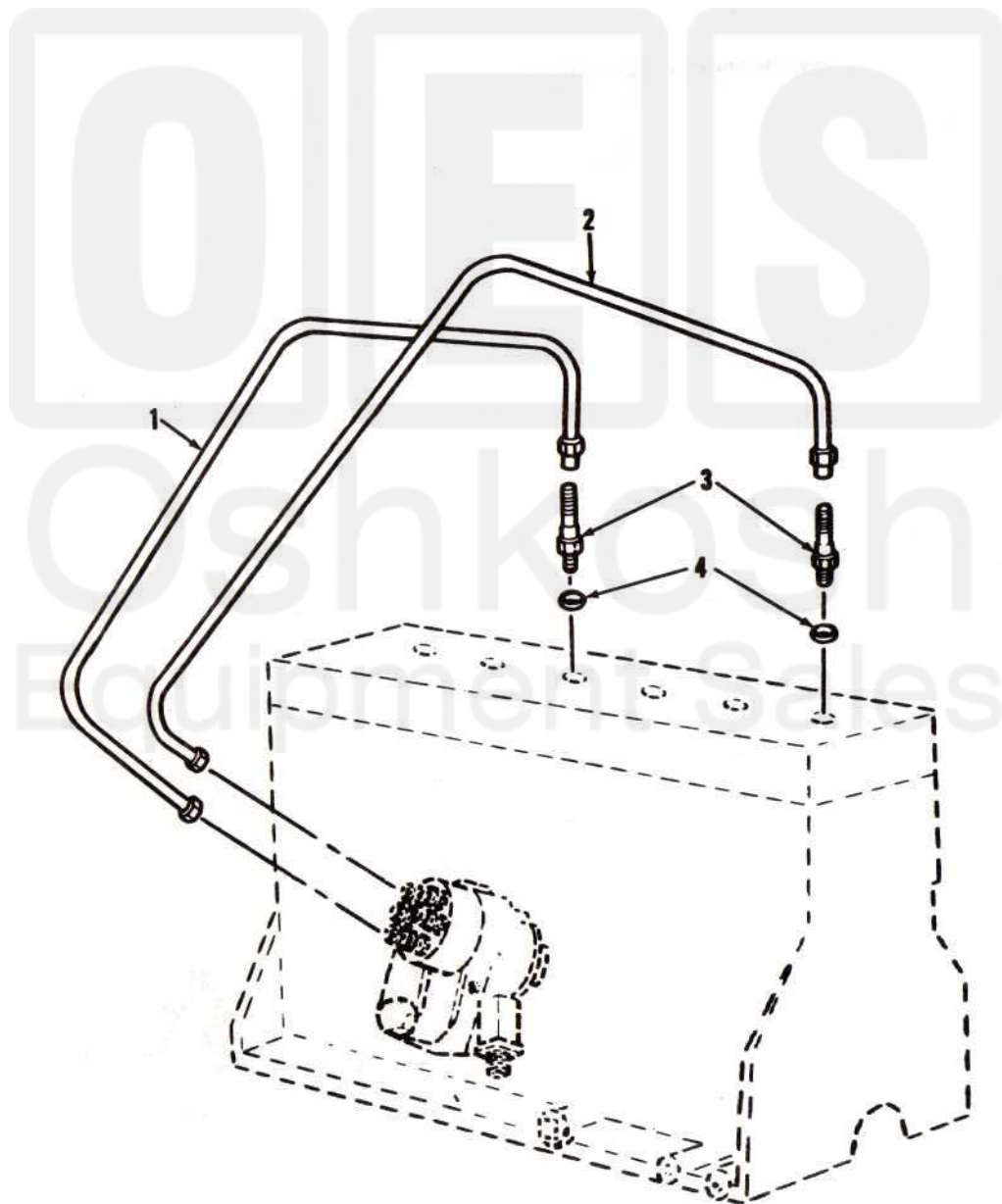


Current part is item (3) on diagram. Available at [www.oshkoshequipment.com](http://www.oshkoshequipment.com)

(1) SMR Code	(2) Federal Stock Number	(3) Description  Reference number & mfg. code	(4) Unit Of Meas.	(5) Qty Inc In Unit	(6) 15-day organizational Maintenance alw				(7) Illustration	
					(a) 1-5	(b) 6-20	(c) 21-50	(d) 51-100	(a) Figure No.	(b) Item No.
		0605—IGNITION COMPONENTS—Continued								
P-O	2920-309-0373	CABLE, SPARK PLUG: (Cable Nos. 2-3-4-5 and 6) 8328040 (19207)	EA	5	*	*	*	*	23	1
P-O	2920-620-3965	CABLE, SPARK PLUG: (Cable No. 1) 8741873 (19207)	EA	1	*	*	*	*	23	2
P-O	2920-287-9135	SPARK PLUG: medium heat range (optional with spark plug, FSN 2920-288-3126) MS35909-2 (96906)	EA	6	*	*	*	*	23	3
P-O	2920-288-3126	SPARK PLUG: shielded (optional with spark plug, FSN 2420-287- 9135) MS35909-1 (96906)	EA	6					23	3
P-O	5330-628-1773	GASKET: spark plug 5281773 (19207)	EA	6	*	*	*	*	23	4
P-O	5305-297-3276	"Non-Illustrated" SCREW, ASSEMBLED WASHER: condenser 594220 (21450)	EA	1	*	*	*	*		
P-O	5305-297-3278	SCREW, ASSEMBLED WASHER: distributor 594222 (21450)	EA	3	*	*	*	*		
		0607—INSTRUMENT PANEL								
P-O	2590-752-6601	WIRING HARNESS: instrument cluster circuit breaker to gages, assembly 7526601 (19207)	EA	1	*	*	*	*	24	1
P-O	5340-752-6595	CLIP, SPRING TENSION: light wiring harness 7526595 (19207)	EA	2	*	*	*	*	24	2
P-O	6220-296-0006	LIGHT, PANEL: waterproof, instrument panel assembly 7358618 (19207)	EA	1	*	*	*	*	24	3
P-O	6220-728-4388	LENS, INDICATOR LIGHT: 7384388 (19207)	EA	3	*	*	*	*	24	4

Current part is item (3) on diagram. Available at [www.oshkoshequipment.com](http://www.oshkoshequipment.com)



AT 40620

Current part is item (3) on diagram. Available at [www.oshkoshequipment.com](http://www.oshkoshequipment.com)

Figure 23. Spark plugs and cables.